

The short vowel o

Rob



Written by Trish Mylet

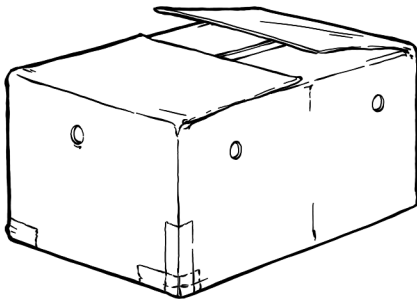
Illustrated by Herrick Ong



Rob



Dob



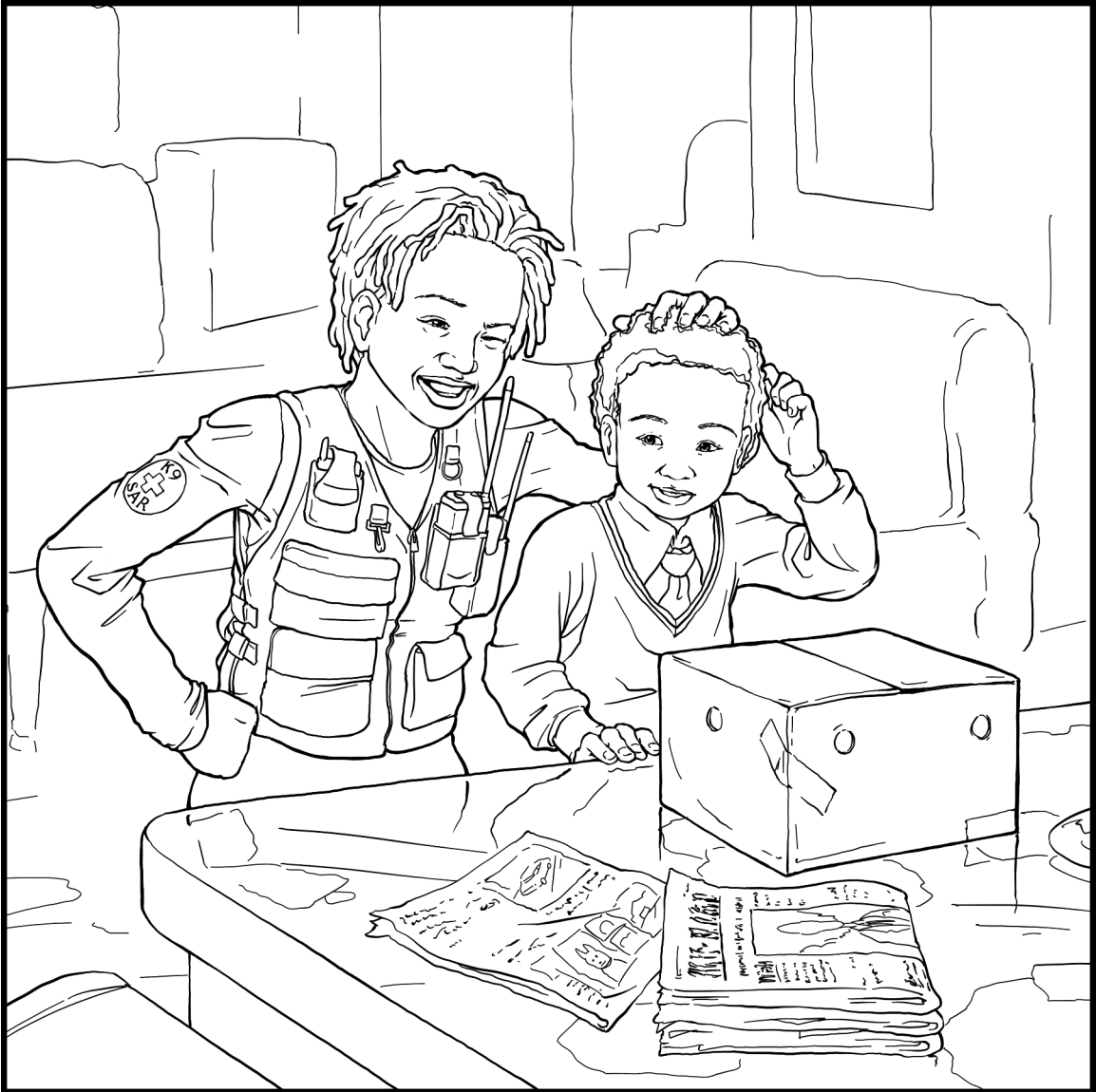
box



Mom



Rob got a box.



Mom got the box for Rob.



Dob is in the box.

Dob is a hob.



Dob is not in the box.



The hob is on Rob.

Rob	a
got	the
box	for
Mom	is
Dob	in
hob	
not	
on	

The short vowel o: Rob

Written by Trish Mylet and Illustrated by Herrick Ong

www.freephoneticreaders.com

Creative Commons License Notice*

* These Phonetic Readers are copyrighted. However, under this Creative Commons Notice we allow you to copy and to distribute them provided you give the copyright holders credit and only on the condition that no modifications are made and that they are not for any commercial use.